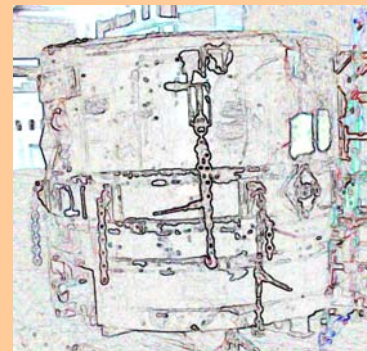
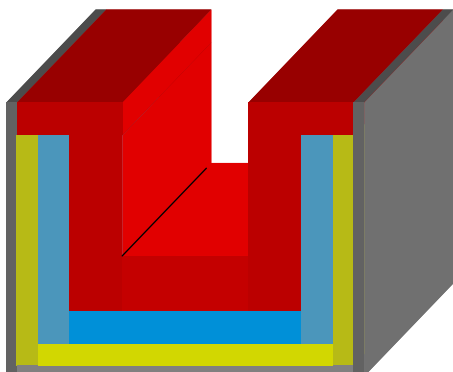


# Plibrico Company Application Guide



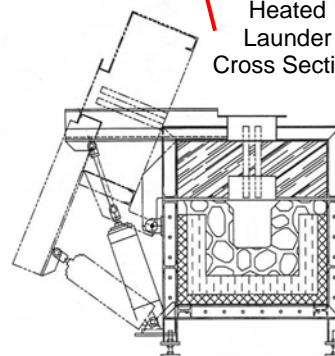
## ALUMINUM TRANSFER— TROUGHS, LAUNDERS, & LADLES

### Troughs, Launderers, & Heated Launderers

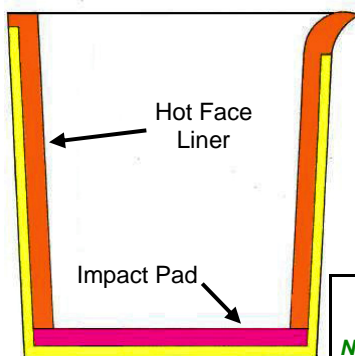


Heated  
Launder  
Cross Section

	Hot face Liner	Insulation
<b>Unheated</b> <i>Normal Wear</i>	Plicast Al-Tuff TSR + Plicast Al-Tuff 36 ExoSet UNO M Plibrico 68 SA	Single Component  Ceramic Fiber Board Calcium Silicate Block
<b>High Wear</b>	Plicast Al-Tuff 3100 SP Plicast Al-Shield 2765	Dual Component  Plicast Al-Tuff LWI 20 Plisulate 1900
<b>Heated</b>	Plicast Al-Tuff 36 ExoSet UNO M	



### Transfer Ladles



	Hot face Liner	Impact Pad
<i>Normal Wear</i>	Plicast Al-Tuff 36 Plicast Al-Tuff 3000 ExoSet UNO M Plibrico 68 SA	Plicast Al-Tuff 3100 SP
<b>High Wear</b>	Plicast Al-Tuff 3100 SP	Plicast Al-Shield 2765



**Plibrico Company LLC**  
1010 North Hooker Street  
Chicago, Illinois 60622

Tel: 312- 337-9000  
Fax: 312- 337-9003

www.plibrico-usa.com

This application guide is intended for general information only. Please consult Plibrico Company or your local Plibrico Representative for specific application assistance and product recommendations.