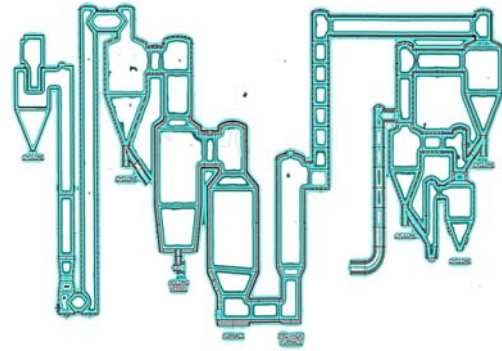


Plibrico Company Application Guide

FLUID FLASH & ROTARY ALUMINA CALCINERS



Fluid Flash Alumina Calciner

Hot Face Liner (Rotary & Fluid Flash)

Moderate Abrasion Areas

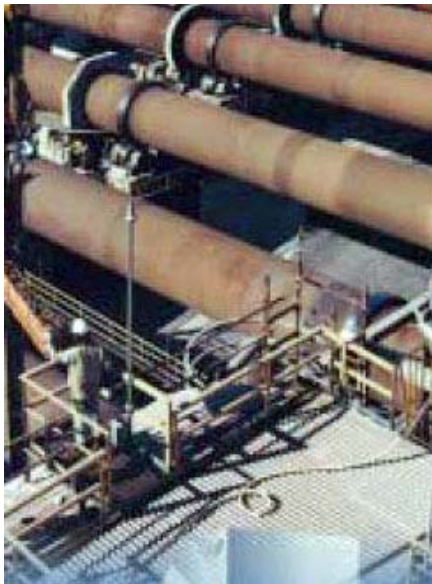
Plibrico 60 AB
Plibrico 80 AB
Plicast / Plishot HyREZIST 3000
Pligun HyREZIST 2700

High Abrasion Areas

Plibrico 68 SA
Plibrico 85 S SP
Plicast / Plishot HyMOR 3100 SP
Pligun HyMOR 8

Thermal Shock Resistant

Plicast HyMOR TSR+
Pligun HyREZIST TS Mix



Rotary Alumina Calciner

Back Up Insulation (Fluid Flash Units)

Plisulate 1900
Plicast Airlite
Pligun LWI 106
Plicast / Pligun LWI 22



This application guide is intended for general information only. Please consult Plibrico Company or your local Plibrico Representative for specific application assistance and product recommendations.



Plibrico Company LLC
1010 North Hooker Street
Chicago, Illinois 60622

Tel: 312- 337-9000
Fax: 312- 337-9003

www.plibrico-usa.com